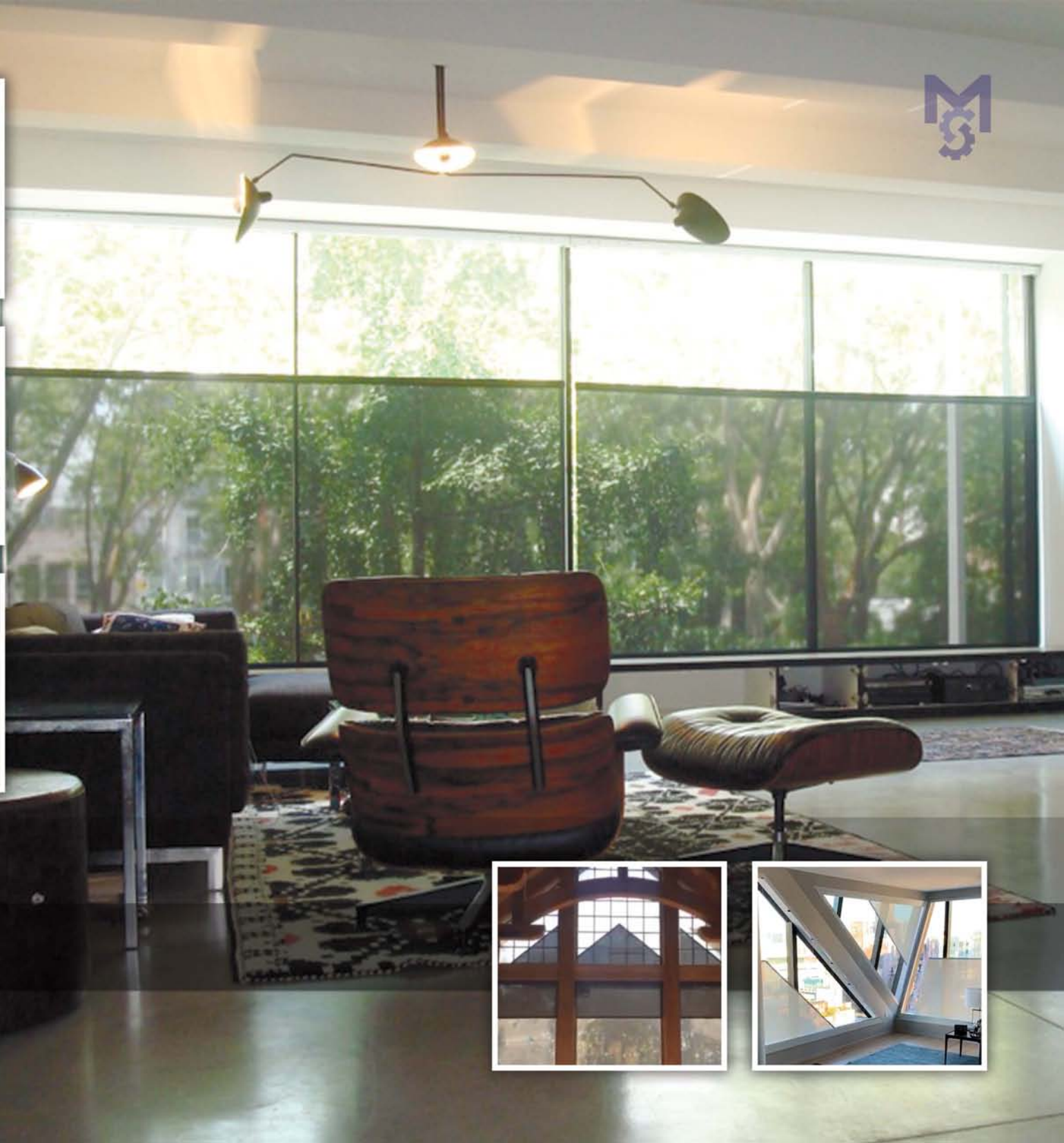
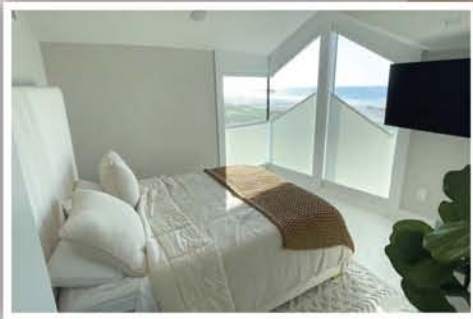




Innovations

IN ARCHITECTURAL WINDOW SHADING



Innovations

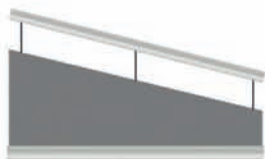
IN SYMMETRY



ANGLED ROLLER SHADES

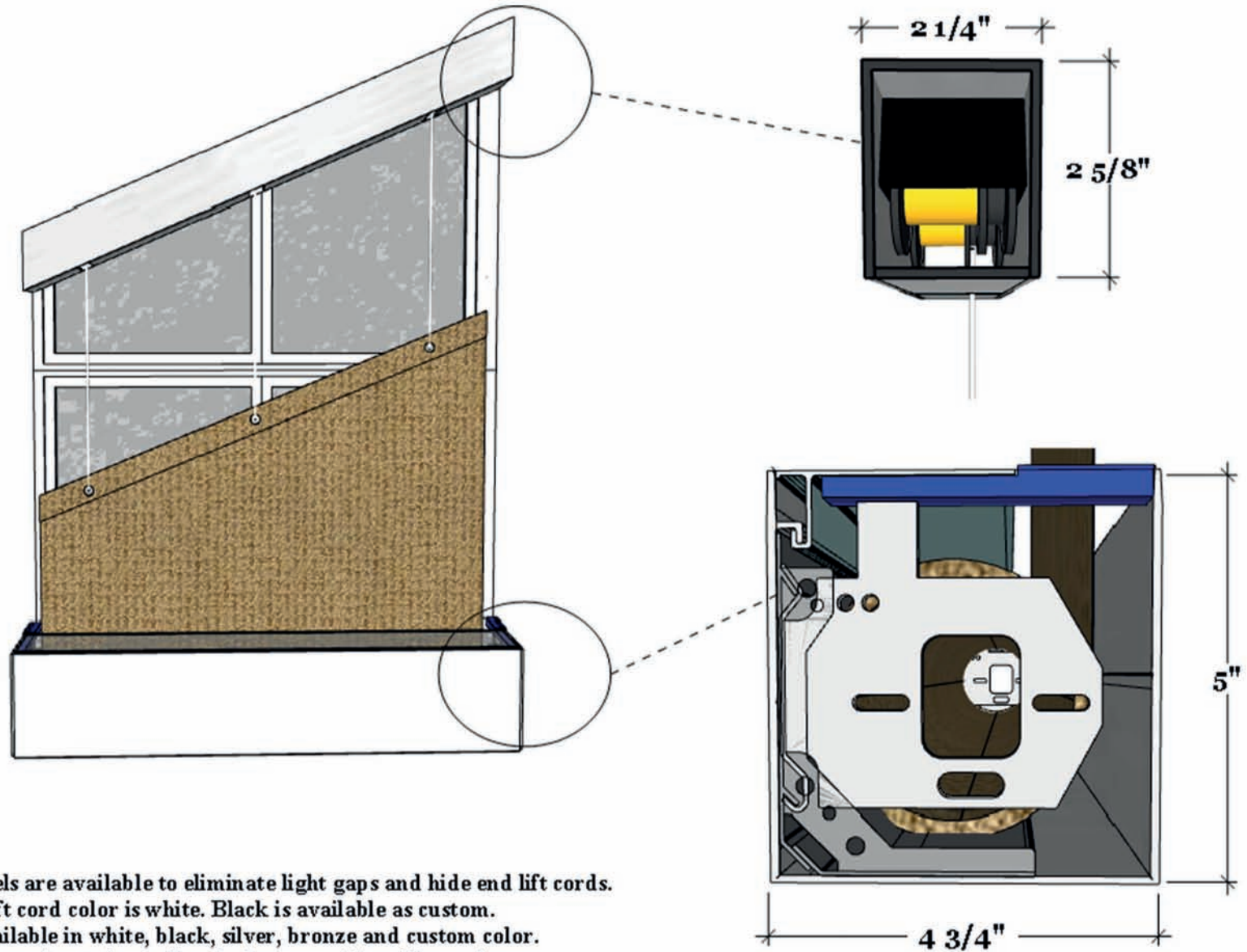


Years of research and development by our shade craftsmen have resulted in an award winning bottom-up, angled, roller shade system. The shades fully retract to expose the glass and architectural features of your angled, trapezoid, and pyramid shaped windows. They are truly a one-of-a-kind solution.



BATTERY SIZE LIMITS - Limited Availability. *Contact customer service for details.*
WIRED SIZE LIMITS: 132" x 144" *Larger Sizes May Be Available*

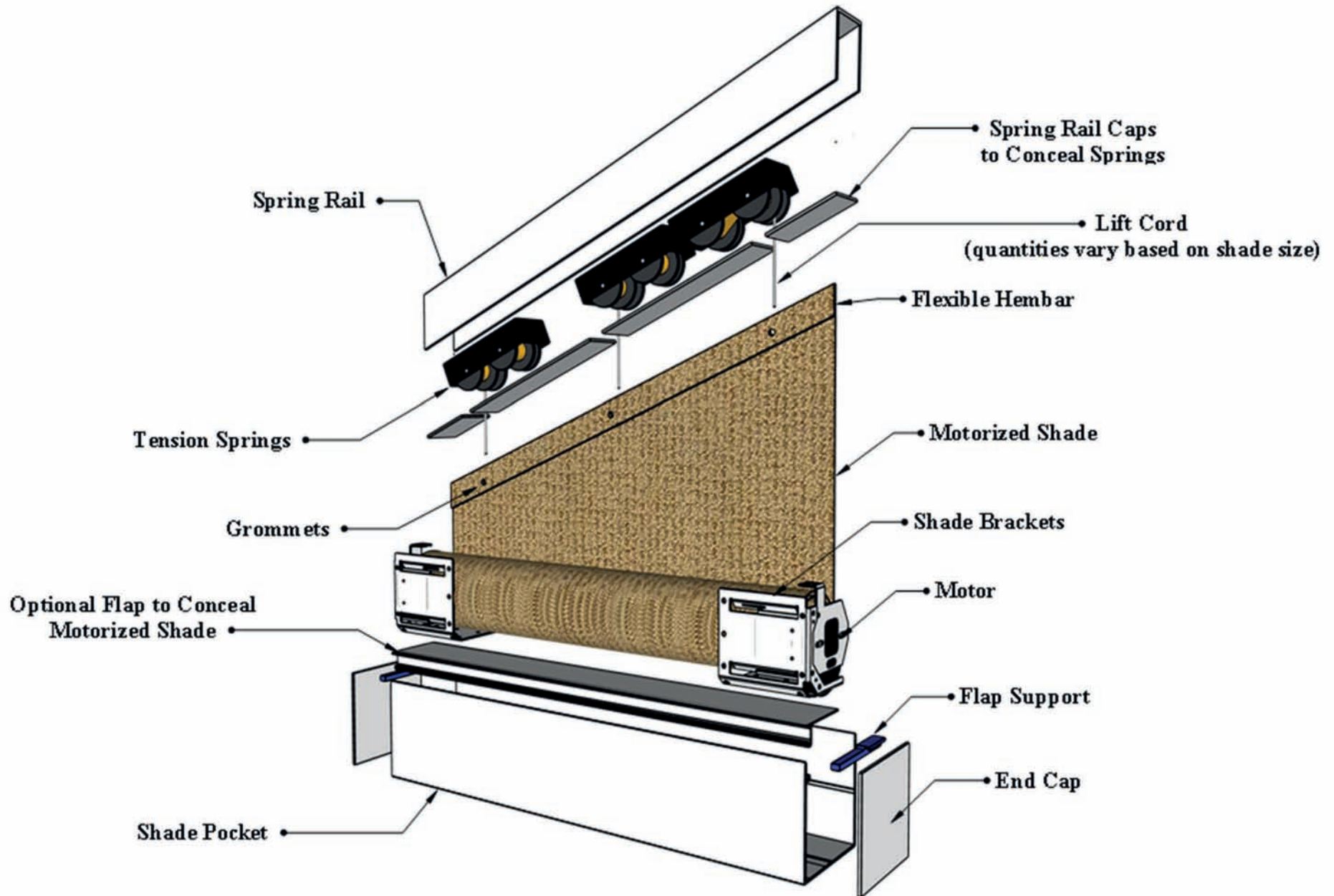
ANGLED BOTTOM-UP ROLLER SHADES



Notes:

- *Side channels are available to eliminate light gaps and hide end lift cords.
- *Standard lift cord color is white. Black is available as custom.
- *Metal is available in white, black, silver, bronze and custom color.
- *Option to have the spring rail at the bottom with pulleys at the top.

ANGLED BOTTOM-UP SHADES EXPLODED VIEW



ARCHED SHADES



Arched shades are hand crafted by our shade artisans to custom fit the curvatures of your window. The shade rises from the bottom to fully cover the radius of the opening.

The shades feature a vast collection of soft, touchable fabrics with intriguing textures, weaves, and colors ranging from traditional to contemporary.

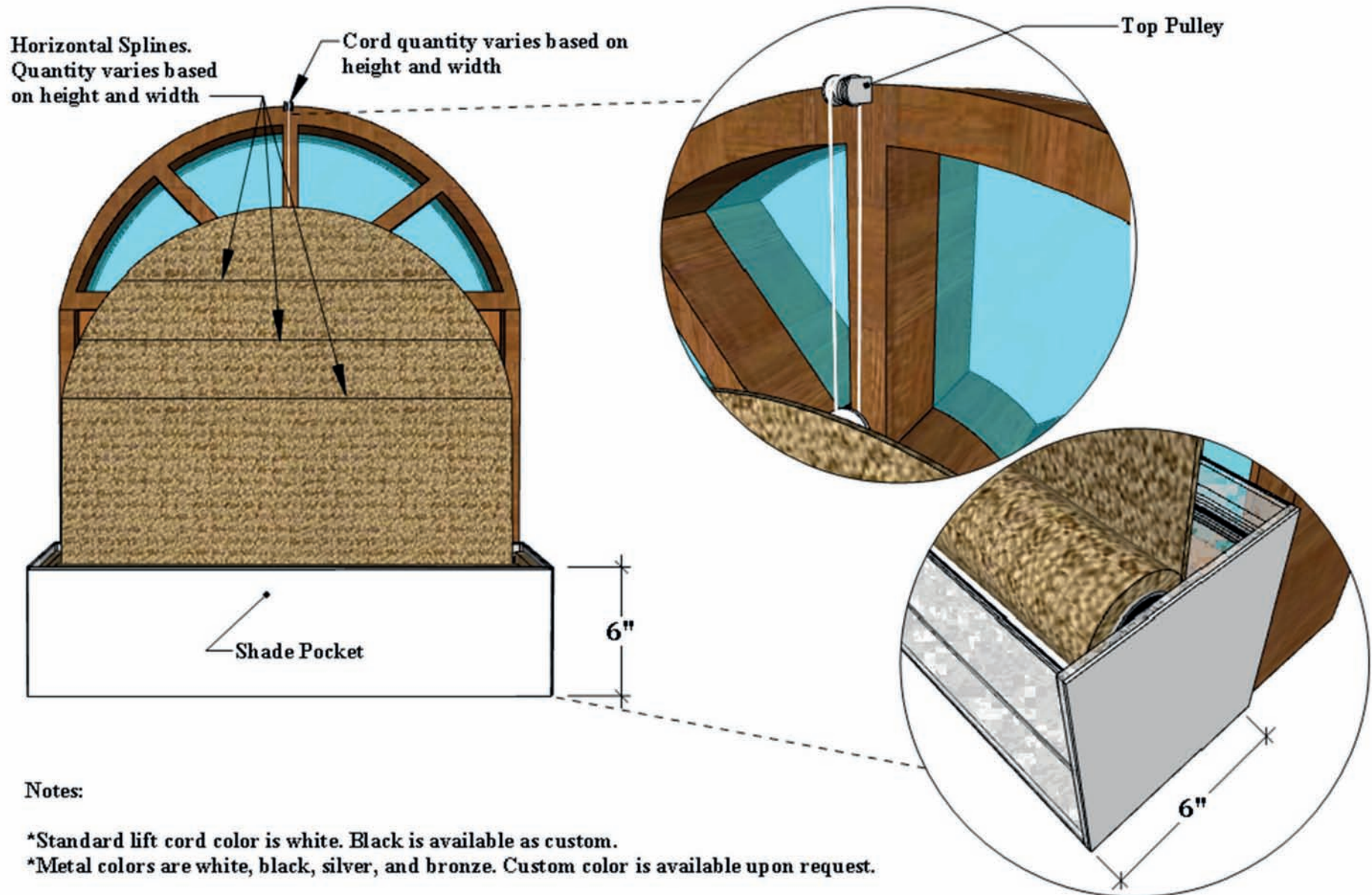


ARCHED ROLLING / ROLLER SHADES

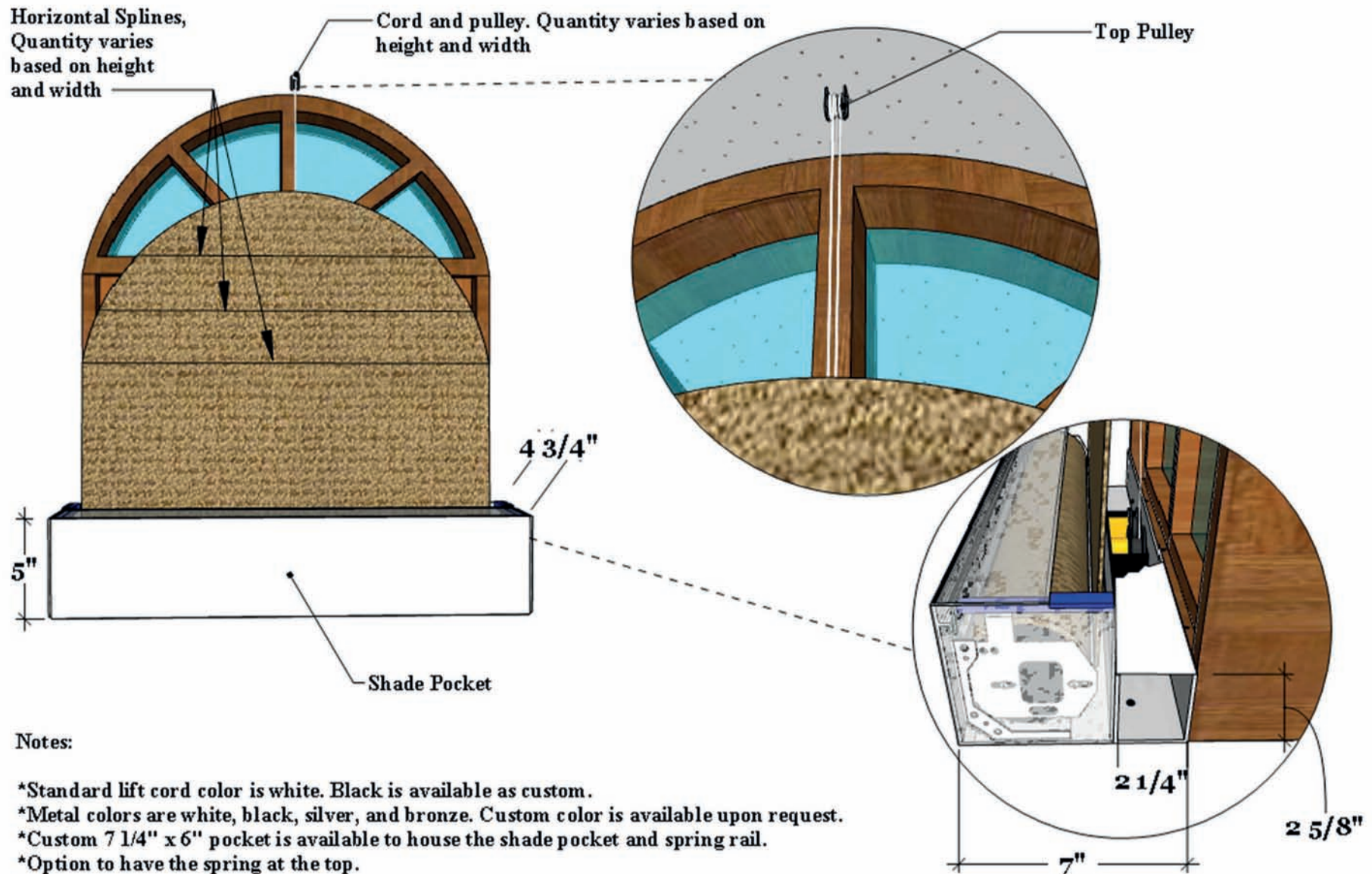
BATTERY SIZE LIMITS: Limited Availability. *Contact customer service for details.*

WIRED SIZE LIMITS: 84" x 84" *Larger Sizes May Be Available*

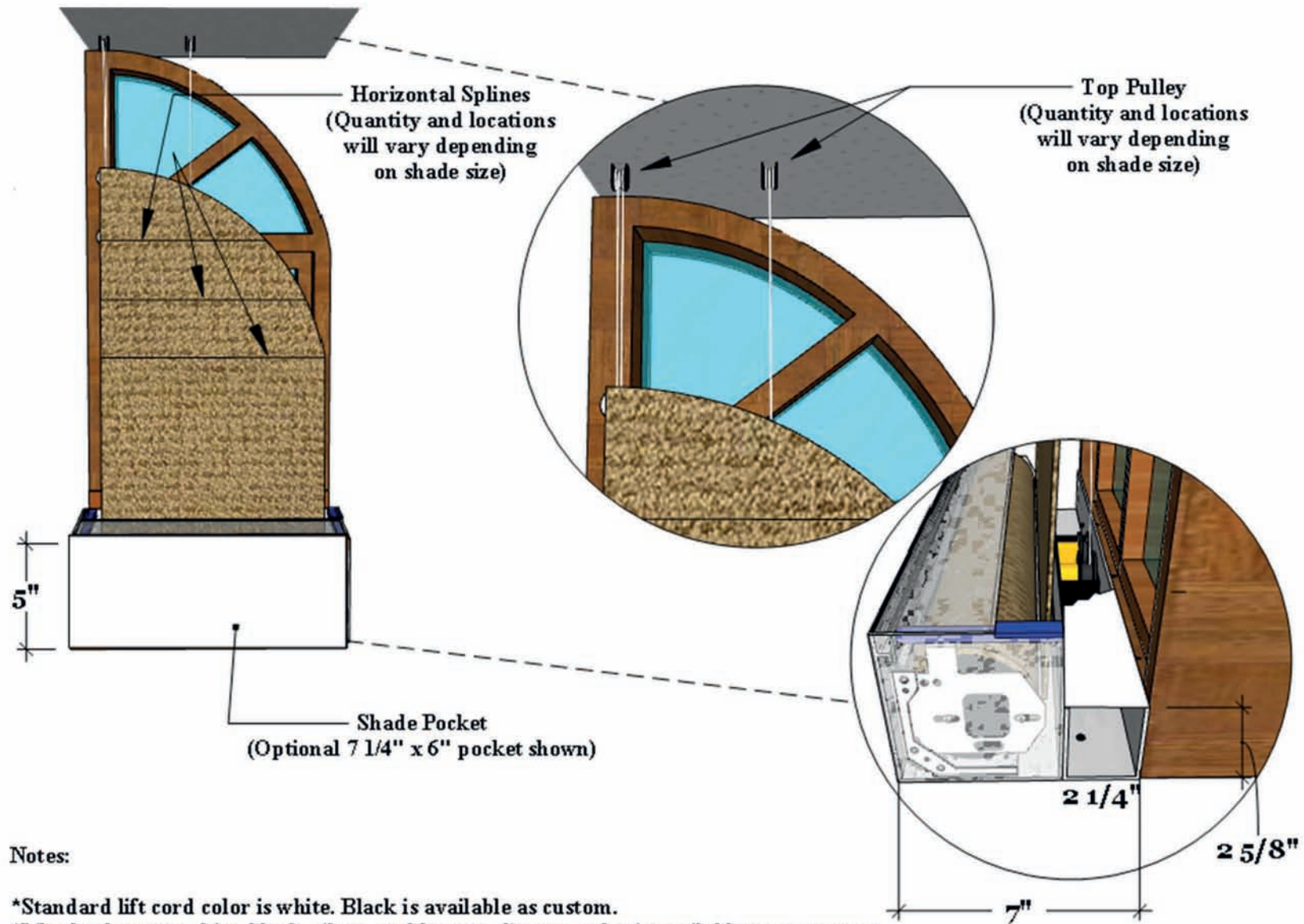
BOTTOM-UP ARCH STANDARD



BOTTOM-UP ARCH XL



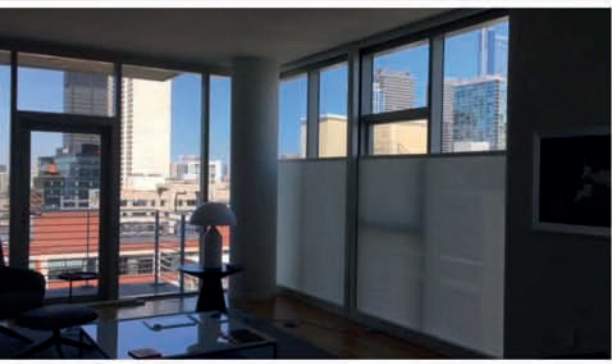
BOTTOM-UP QUARTER ARCH XL



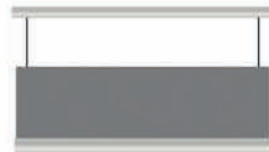
Notes:

- *Standard lift cord color is white. Black is available as custom.
- *Metal colors are white, black, silver, and bronze. Custom color is available upon request.
- *Custom 7 1/4" x 6" pocket is available to house the shade pocket and spring rail.
- *Option to have the spring at the top.

STRAIGHT BOTTOM-UP ROLLER SHADES



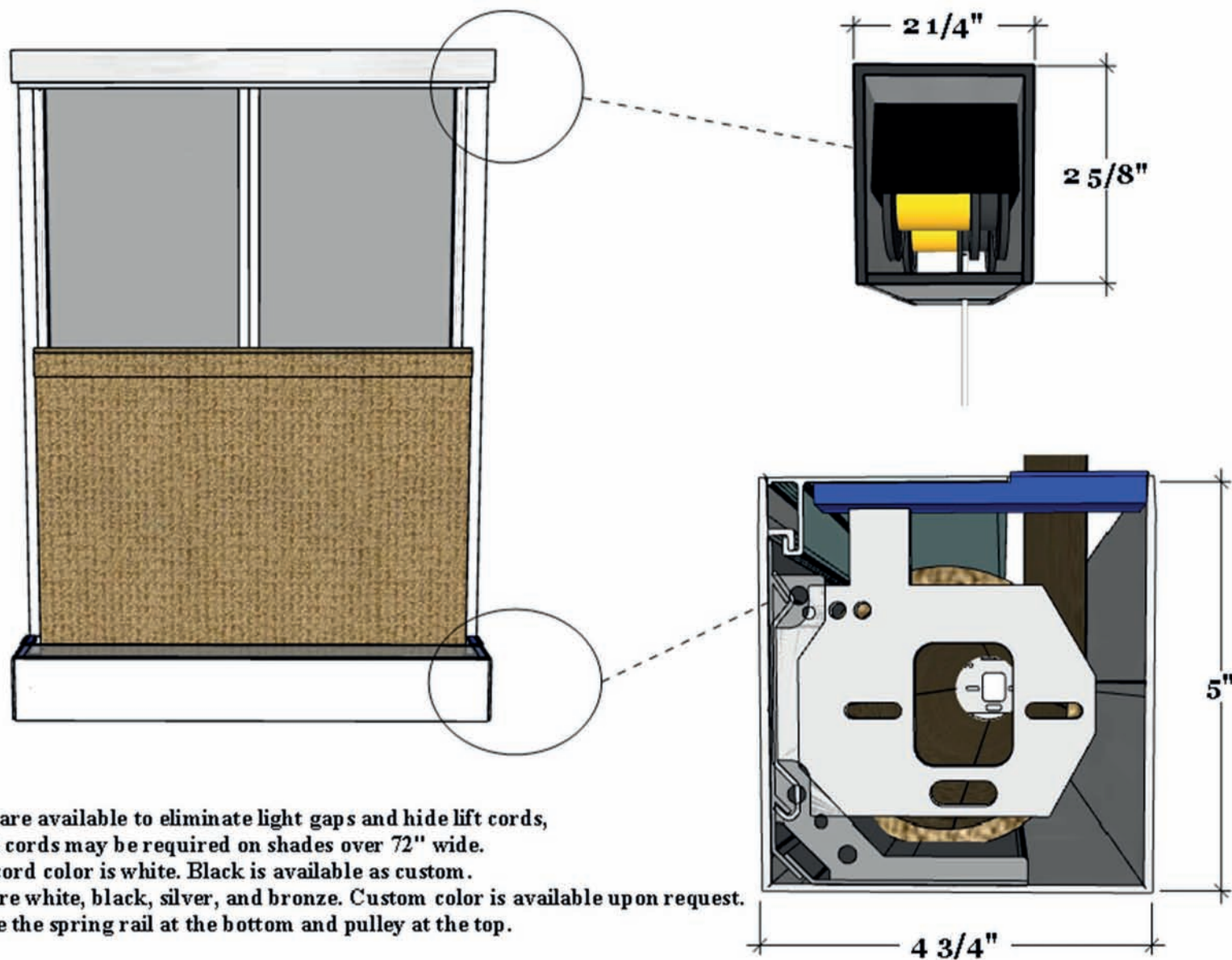
Bottom-up shades provide privacy while allowing natural light to illuminate the room. They deliver function to areas where privacy is a factor and furnish a beautiful aesthetic.



BATTERY SIZE LIMITS - Limited Availability. *Contact customer service for details.*

WIRED SIZE LIMITS: 180" x 180" *Larger Sizes May Be Available*

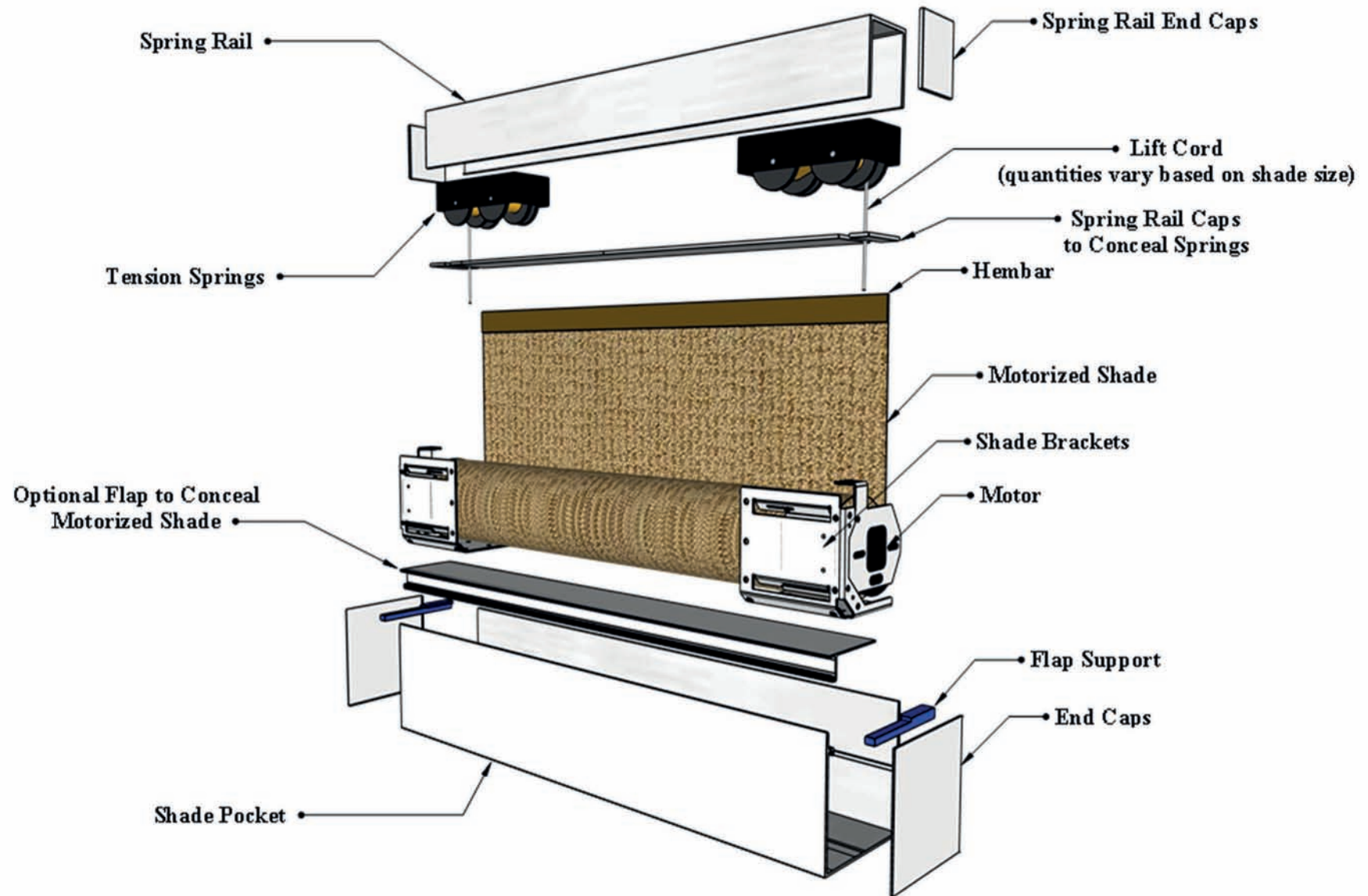
STRAIGHT BOTTOM-UP SHADES



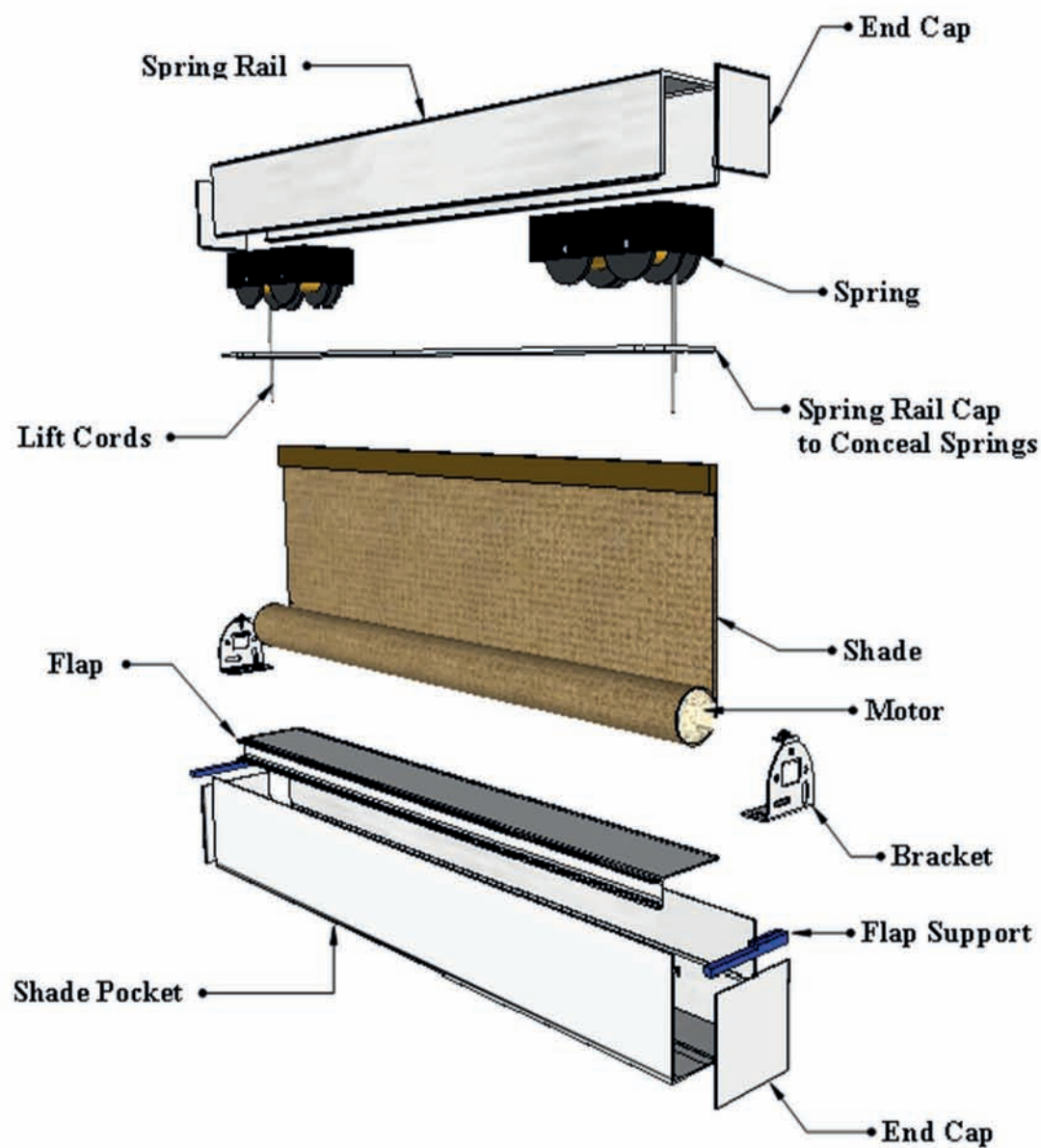
Notes:

- *Side channels are available to eliminate light gaps and hide lift cords,
- *Additional lift cords may be required on shades over 72" wide.
- *Standard lift cord color is white. Black is available as custom.
- *Metal colors are white, black, silver, and bronze. Custom color is available upon request.
- *Option to have the spring rail at the bottom and pulley at the top.

STRAIGHT BOTTOM-UP SHADES EXPLODED VIEW



STRAIGHT BOTTOM-UP SHADES ROLLER 64



SKYLIGHT SHADES



Motorized skylight shades are available in a variety of different systems including our exclusive cellular skylight system featuring one of the only “no visible cord” skylight shades in the industry.



Motorized skylight “**rolling shades**” are available in a wide range of color and opacity options including sunscreens, light filtering, and blackout fabrics. Our sunscreen fabrics block up to 99% of UV and heat without impairing the view of the room.

Motorized skylight “**cellular shade**” systems allow many fabric options. You can provide a pattern and color from any major shade manufacturer, send us your existing shades, or choose from our collection of fine fabrics.



SKYLIGHT ROLLING/ROLLER SHADES

BATTERY SIZE LIMITS: Limited Availability. *Contact customer service for details.*

WIRED SIZE LIMITS: 96" x 120" *Larger Sizes May Be Available*

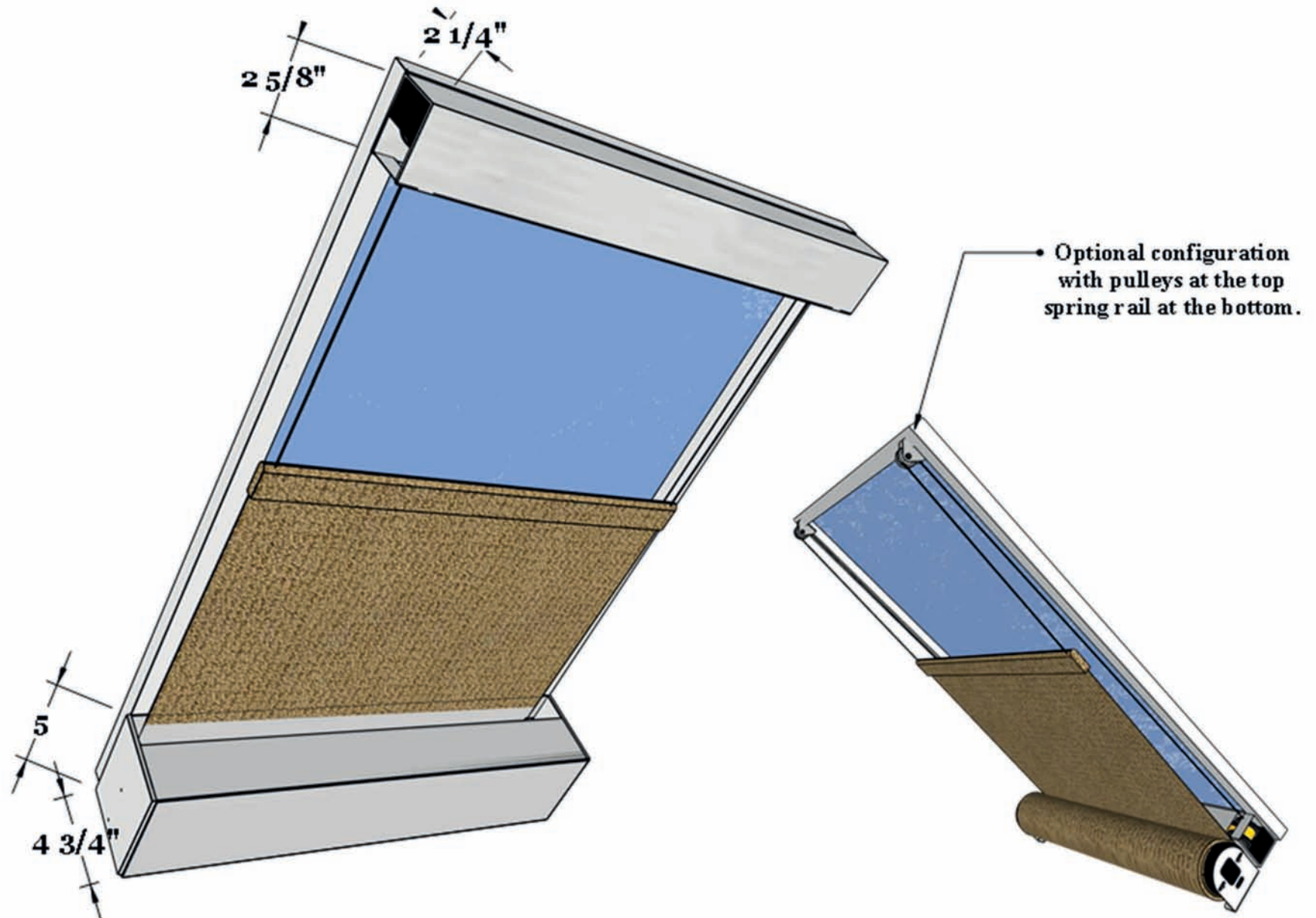


SKYLIGHT CELL SHADES

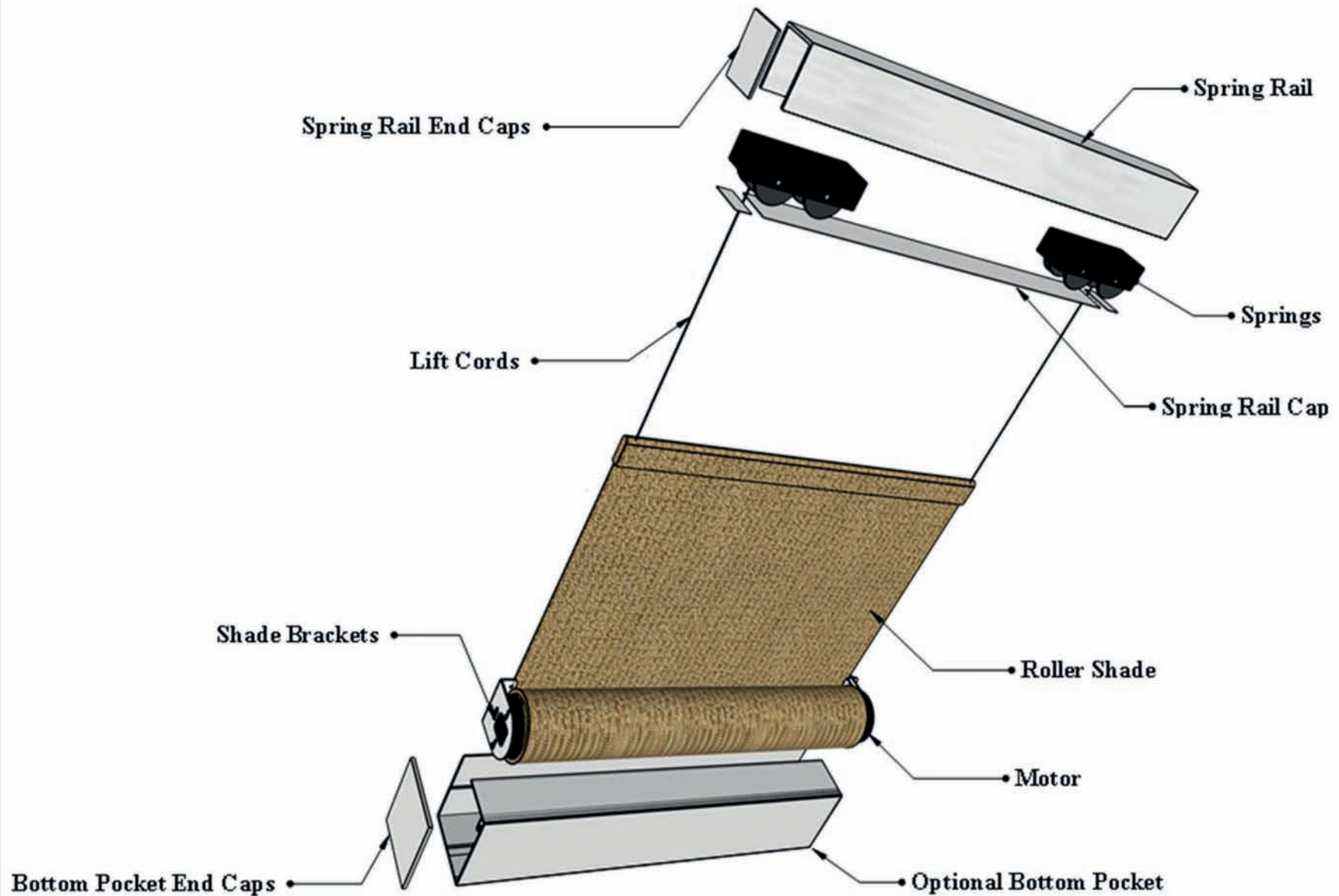
BATTERY SIZE LIMITS: 60" x 60" *Larger Sizes May Be Available*

WIRED SIZE LIMITS: 60" x 60" *Larger Sizes May Be Available*

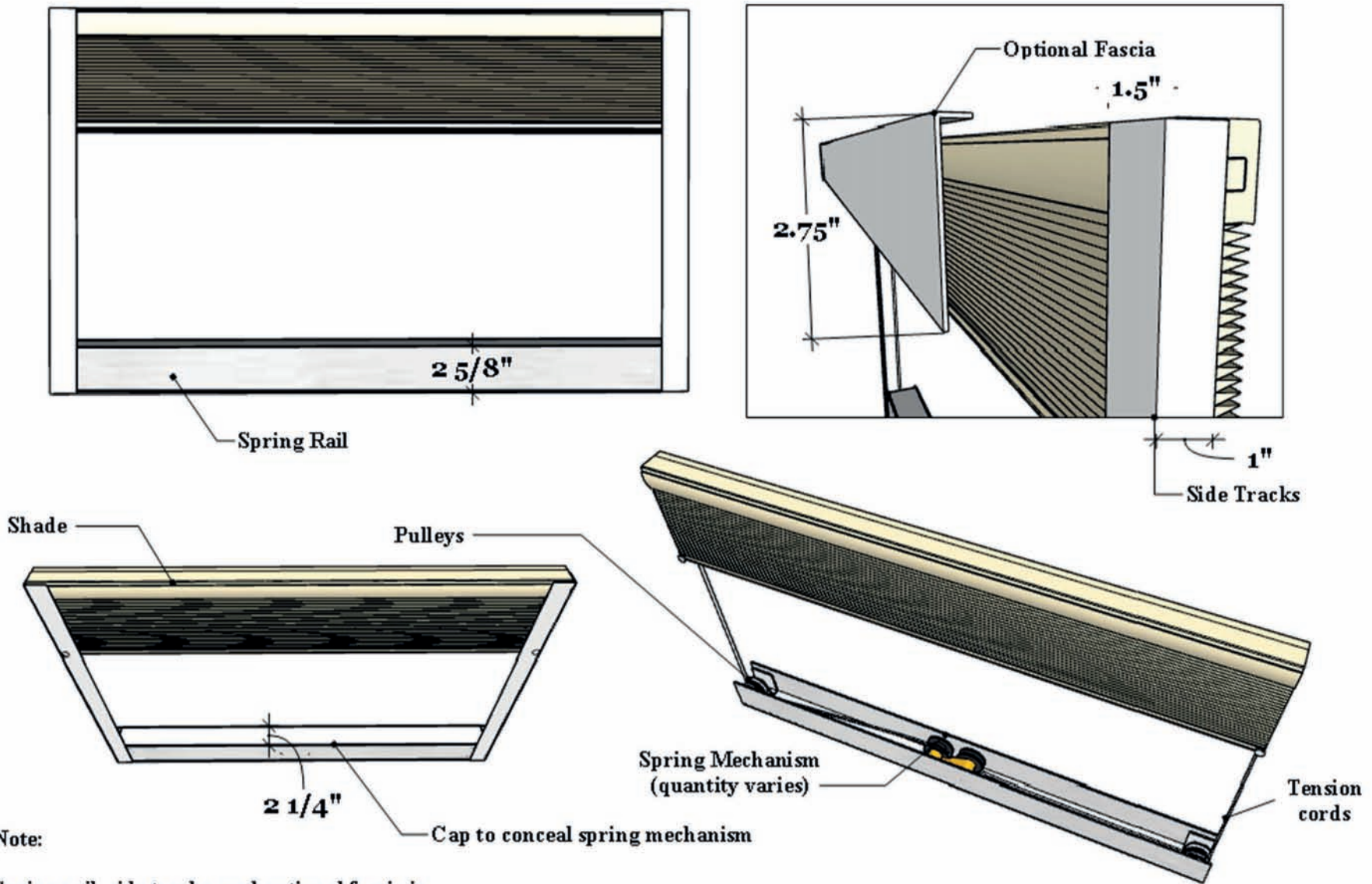
FRAMELESS SKYLIGHT ROLLER SHADE



FRAMELESS SKYLIGHT ROLLER SHADE



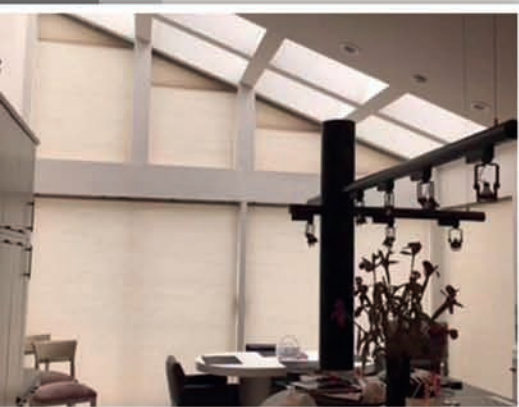
HONEYCOMB/CELL SKYLIGHT SHADE



Note:

Spring rail, side tracks, and optional fascia is available in white, black, bronze and silver.

ANGLED CELLULAR SHADES



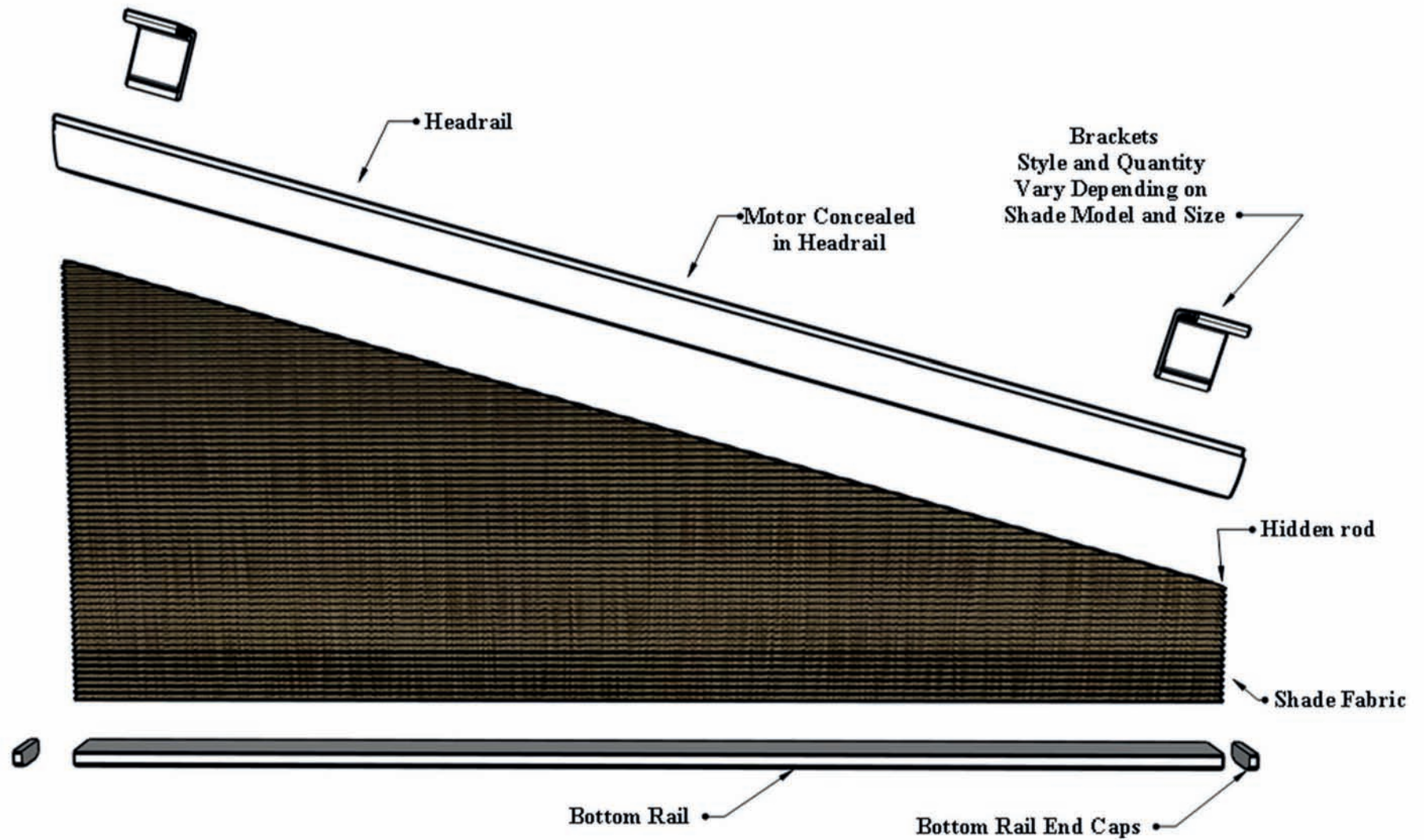
Our angled motorized cellular shades are hand crafted to custom fit each unique window. The system mounts at the top angled portion of the opening, fully retracting to expose the architectural features of your window. They are energy efficient in both cold and warm climates. Their honeycomb-like design traps air in distinct pockets, providing insulation to lower your energy consumption and assist with the efficiency of your home. Fabric options range from sheer to blackout. Cellular shades are an optimal choice for an energy focused design.



BATTERY SIZE LIMITS: 60" x 60" *Larger Sizes May Be Available*

WIRED SIZE LIMITS: 60" x 60" *Larger Sizes May Be Available*

ANGLED HONEYCOMB SHADES EXPLODED VIEW



ROMAN AND WOVEN SHADES



Roman shades are constructed using fabric and woven wood materials to provide a fluid, sculpted, soft line to accent any décor. They are available in an abundance of styles, pleats, and patterns. Roman shade materials are available in fabric, faux, grass, wood, bamboo, thatch, and natural fibers.

HORIZONTAL BLINDS



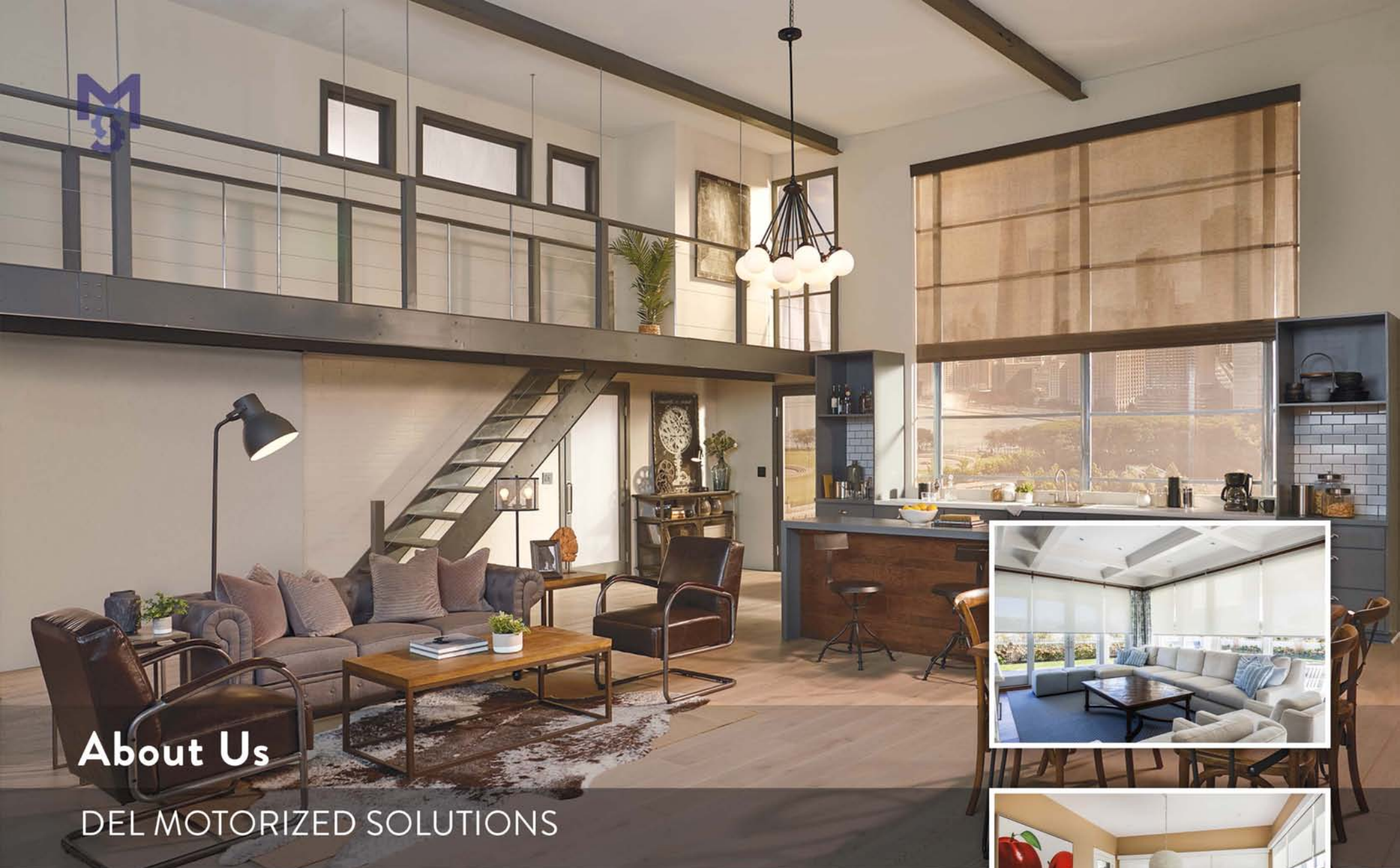
Horizontal blinds add traditional styling to any décor. Blinds are available in a variety of materials, slat sizes and finishes. Their ability to tilt, controlling the amount of ambient light from entering the room adds versatility and function to your windows.

DEL's motorized horizontal blinds are available as motorized lift and motorized tilt or motorized tilt only models.



ALUMINUM, WOOD AND FAUX WOOD BLINDS

BATTERY AND WIRED SIZE LIMITS: *Contact Customer Service for Size Limits*



About Us

DEL MOTORIZED SOLUTIONS

DEL Motorized Solutions is proud to offer the most innovative window treatments in the industry since 1976.

Founded in the 1940's as an exclusive custom upholstery company, we have the ingrained passion to perform each project with precision. Our strive for perfection has enabled us to become Lutron's premier residential dealer and the first window treatment dealer inducted into the Lutron Hall of Fame.





Our MISSION

DEL Motorized Solutions is committed to providing our clients with the most innovative, high-quality automated window treatments in the industry, coupled with a superior customer service experience.

- We are guided by core values that are shared by every member of our team
- We are dedicated to building long-term client relationships
- We will help inspire, educate, and problem solve for our clients
- We value the trust our clients have placed in us and continuously strive to exceed their expectations

Innovations IN MOTORIZED SOLUTIONS



Motorized Solutions®
Toll Free: 866.446.6867
motorizedsolutions.com
info@motorizedsolutions.com

